



THE COMPLETE LINE OF  
SAFETY TREADS, THRESHOLDS  
& WALKWAY PRODUCTS

**WOOSTER PRODUCTS INC.**

PO BOX 6005  
1000 SPRUCE STREET • WOOSTER, OHIO 44691  
WEBSITE: [www.wooster-products.com](http://www.wooster-products.com)  
eMAIL: [sales@wooster-products](mailto:sales@wooster-products)

PHONE (330) 264-2844  
1-800-321-4936  
FAX (330) 262-4151

**Attention Ship Captains, U. S. Navy Buyers and Suppliers,  
Shipyards, Ship Repair Yards, Boat Builders, Ship Chandlers:**

Wooster Products Inc. is certified to quote on the NAVSEA Ships Ladder Safety Treads under specification MIL-T-24634 (SH), Treads, compound-filled, for inclined ladders.

These cost-saving, slip-resistant, non-combustible safety treads are designed and approved for use on all ladders aboard U.S. Navy Ships! They can also be used on commercial and passenger vessels to stop accidents and save costs.

For improved safety aboard ship,  
call "WOOSTER" for price on  
**NAVSEA Designed Ships Safety Ladder Treads**  
per spec. MIL-T-24634 (SH) Treads, Compound-Filled,  
for inclined Ladders



TYPE I FULL TREAD



TYPE II CAP TREAD

WOOSTER PRODUCTS INC. is a TESTED and CERTIFIED supplier of these  
NAVSEA Ships Safety Ladder Treads per spec. MIL-T-24634 (SH)  
in accordance with WQAEC/Y report no. 87-22 of 6 Apr. '87



**WOOSTER PRODUCTS INC.**  
1000 Spruce Street  
Call Toll Free: 800-321-4936

Wooster, Ohio 44691  
(330) 264-2844

The prime concerns addressed by NAVSEA in the development of this new series of ships ladder treads were improved safety, longer life span and cost savings.

These improved inclined ladder treads are designated Type I Full Tread for new ladders and Type II Cap Tread for retrofit. They are available in 4", 6", and 9" widths.

"Wooster" has been a reliable supplier of quality safety stair and walkway products for over 88 years. Please call toll-free, 1-800-321-4936 for price quotation or answers to your questions. Our fax number is 1-330-262-4151.

Please note that Wooster Products Inc. is a tested and certified supplier of these NAVSEA Ships Safety Ladder Treads per spec. MIL-T-24634 (SH) in accordance with WQAEC/Y report no. 87-22 of 6 April '87.

WOOSTER PRODUCTS INC.  
1000 Spruce Street  
Wooster, Ohio 44691

*manufacturers of safety stair and walkway products*

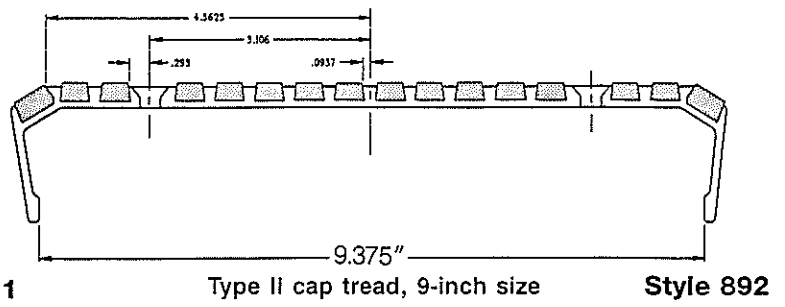
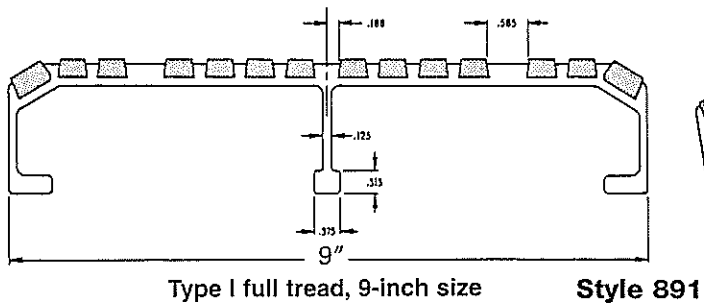
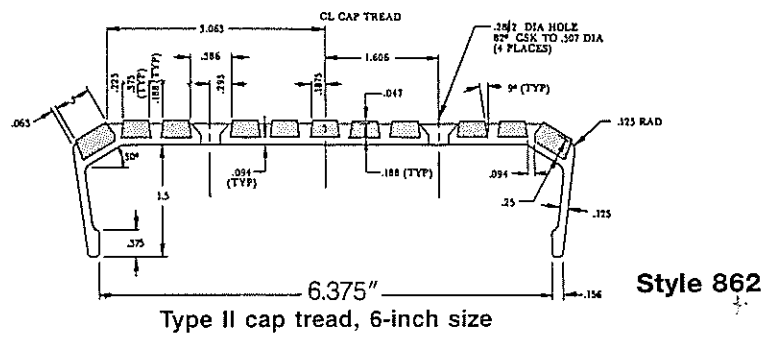
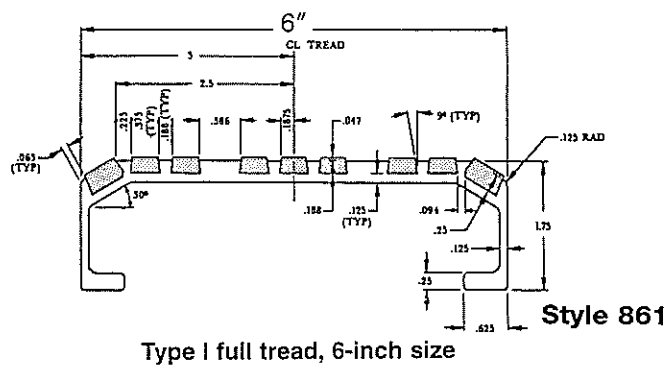
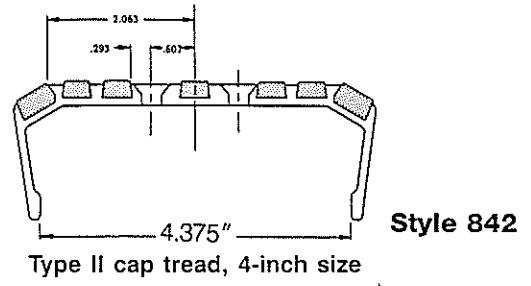
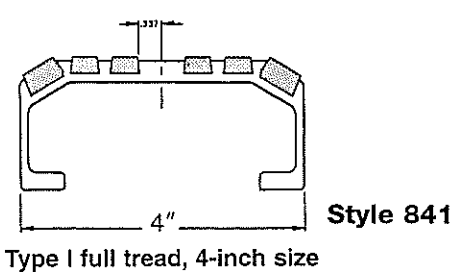


# U.S. Navy Design for Ships Inclined Ladders

Complies with Specification MIL-T-24634 (SH) Treads, Compound Filled, for Inclined Ladders

**NAVSEA approved for installation on all Navy ships!**

<p><b>TYPE I FULL TREAD</b> Ships Ladder Tread</p>	<p>improved safety reversible NAVSEA designed durable 4", 6", 9" widths interior or exterior use.</p>	<p><b>TYPE II CAP TREAD</b> Ships Ladder Tread</p>
<p><b>Meets: MIL-T-24634 (SH)</b> <b>Treads, Compound Filled, For Inclined Ladders</b></p>		



Design features include: Lower life cycle cost, improved wear resistance, slip resistance, damage resistance and weather resistance. Also improved appearance.

Available in 4-inch, 6-inch and 9-inch widths.

Wooster Products Inc. also manufactures the complete line of Anti-Slip Safety Products for ships ladders, decks, ramps, showers, galleys, gangways, and passageways.

	<p><b>WOOSTER PRODUCTS INC.</b> 1000 Spruce Street, P.O. Box 6005 Wooster, Ohio 44691 (330) 264-2844 FAX (330) 262-4151 Call Toll Free: 800-321-4936</p>
--	--

IMPORTANT NOTICE TO PURCHASER: THE FOLLOWING IS MADE IN LIEU OF ALL WARRANTIES, EXPRESSED OR IMPLIED, INCLUDING WARRANTIES OF MERCHANTABILITY AND FITNESS FOR A PARTICULAR PURPOSE: Purchase or use of this product constitutes an agreement with Seller and Manufacturer that, if the product proves to be defective or in any way unsuitable, Seller's and Manufacturer's limit of liability for all damages, including but not limited to incidental or consequential damages, and User's or Purchaser's exclusive remedy, regardless of legal theory, including theories of breach of warranty, negligence and strict liability, shall be to receive, at Seller's or Manufacturer's option, repair of the defective product, an equivalent quantity of replacement product or a refund of the purchase price.