



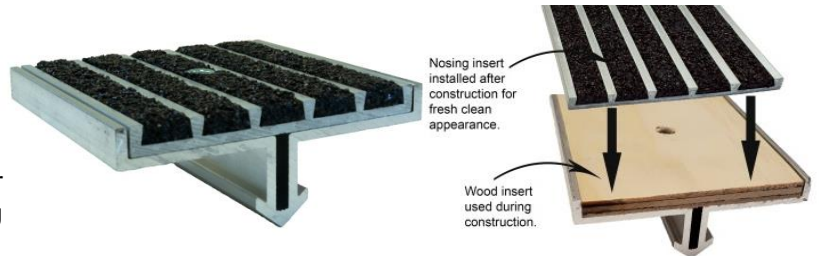
SUPERGRIT® SAFETY TREADS

SUPERGRIT® TREADS PROVIDE:

A heat-treated, corrosion resistant, extruded aluminum base with satin lacquered finish. The use of diamond hard aluminum oxide in the filler assures long tread life under heavy pedestrian traffic use. Supergrit® is appropriate for both inside and outside use.

SUPERGRIT® FEATURES:

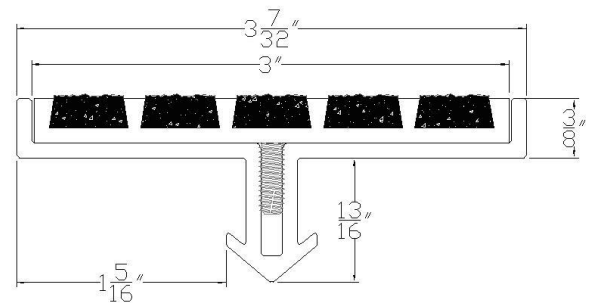
- Extruded aluminum base - abrasive filler
- Lengths to order - up to 10'0" in one piece
- Lengths over maximum to be made in equal sections
- Non-combustible
- High content of aluminum oxide abrasive
- 11 standard colors - colors extend throughout filler
- Protective tape available at additional cost
- Nosings can be furnished with disposable wood insert for use during construction phase. After construction, nosing inserts are installed for fresh clean appearance.
- Fast easy replacement if damaged
- Premium quality construction with no clatter and an architecturally clean design.



SUPERGRIT® SPECIFICATION:

- Provide Supergrit® type **630B** safety nosings as manufactured by Wooster Products Inc. for interior and exterior stairs.
- Tread base shall be type 6063-T5 extruded aluminum.
- Anti-slip filler shall contain not less than 65% virgin grain Aluminum Oxide (Al₂O₃) abrasive.
- Treads shall be nonflammable and noncombustible as tested under Federal Test Method Standard No. 501a. Method 6411.
- Treads shall terminate not more than 4" from ends of steps for poured concrete stairs; for concrete filled steel pan stairs, nosings shall be full length of steps less 1/8" clearance.
- Color shall extend uniformly throughout the filler; black color will be furnished if no other color is specified.
- Protective tape available upon request, at an extra cost. Protective tape should be removed as soon as possible once installed.
- Nosings shall finish flush with the top of the traffic surface.

Type 630B



3 7/32" wide, 3/8" thick
DRAWING NOT TO SCALE
Maximum length is 10'0".

Lengths over maximum will be made in equal sections.

GUIDELINES FOR THE INSTALLATION OF METAL SAFETY TREADS OR NOSINGS INTO NEW CONCRETE OR STEEL PAN FILLED STAIRS:

- The use of very large aggregate in the concrete mix may make placement of the safety nosing difficult.
- Safety nosing placement may be difficult in concrete with very low slump.
- Place concrete into the stair forms or steel pans as quickly as possible; schedule pour so as to install the metal safety nosings quickly before the initial set of concrete occurs.
- Puddle the concrete, tamp the safety nosings to insure proper concrete formation around the anchors.
- Remove protective tape (if used) as soon as practical.
- Order nosings or treads well in advance of the pour or installation date.

WOOSTER PRODUCTS INC, 1000 SPRUCE ST., WOOSTER, OH 44691

Toll Free: 800-321-4936

Phone: 330-264-2844

Fax: 330-262-4151

Website: <http://www.woosterproducts.com>

E-mail: sales@wooster-products.com