

WP® SPECTRA® SAFETY TREADS

SPECTRA® TREADS PROVIDE:

A high content of aluminum oxide abrasive grit for long life and lasting beauty. Spectra's safety surface has easy maintenance features and insures greatest protection from liability of falls and injuries.

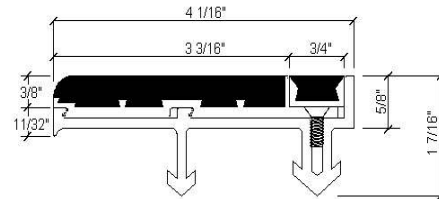
SPECTRA® FEATURES:

- Extruded aluminum base - abrasive filler.
- Lengths to order - up to 8' 0" max.
- High content of aluminum oxide abrasive
- 18 standard colors - Colors extend throughout
- May use two colors
- Clean architectural lines
- Replaceable Inserts
- Protective tape available

SPECTRA® SPECIFICATION:

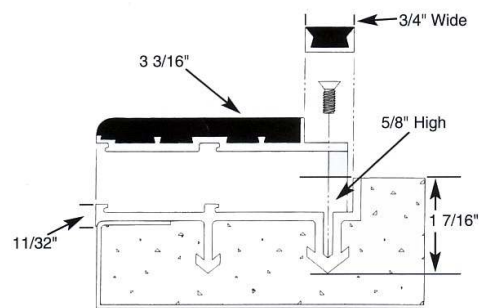
- Provide Spectra® type **WP2003** safety nosings as manufactured by Wooster Products Inc. for interior and exterior stairs.
- Nosing base shall be type 6063-T5 extruded aluminum.
- Anti-slip filler shall contain not less than 60% virgin grain Aluminum Oxide abrasive.
- Binder is to be a fully cured resilient type epoxy; epoxy binder to filler ratio to be 13% minimum for improved cleanability.
- Nosings shall terminate not more than 4" from ends of steps for poured concrete stairs; for concrete filled steel pan stairs, nosings shall be full length of steps less 1/8" clearance.
- Color shall extend uniformly throughout the filler; black color will be furnished if no other color is specified.
- Nosings shall finish flush with the top of the traffic surface.

TYPE WP2003 SPECTRA
RESILIENT EPOXY ABRASIVE FILLER
REPLACABLE INSERTS



SURE-HOLD ANCHORS ARE EXTRUDED
INTEGRALLY FULL LENGTH OF SECTION

Type WP2003



4 1/16" wide, 5/8" thick, sure-hold anchor
DRAWING NOT TO SCALE

The type WP2003 is to be recessed into fresh concrete.

GUIDELINES FOR THE INSTALLATION OF METAL SAFETY TREADS OR NOSINGS INTO NEW CONCRETE OR STEEL PAN FILLED STAIRS:

The use of very large aggregate in the concrete mix may make placement of the safety nosing difficult.

Safety nosing placement may be difficult in concrete with very low slump.

Place concrete into the stair forms or steel pans as quickly as possible; schedule pours so as to install the metal safety nosings quickly before initial set of concrete occurs.

Puddle the concrete, tamp the safety nosing to insure proper concrete formation around the anchors.

Remove protective tape (if used) as soon as practical.

Order nosings or treads well in advance of the pour or installation date.

Close stairway after pour; permit no use for 24 hours.

WOOSTER PRODUCTS INC, 1000 SPRUCE ST., WOOSTER, OH 44691
Toll Free: 800-321-4936 Phone: 330-264-2844 Fax: 330-262-4151
Web Site: <http://www.wooster-products.com> E-mail: sales@wooster-products.com